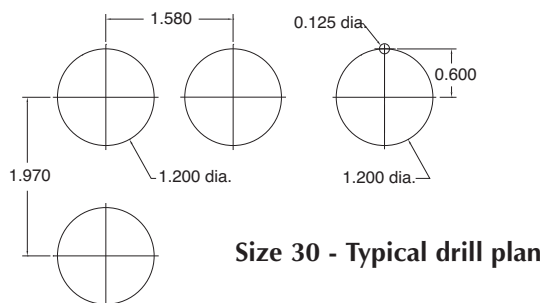
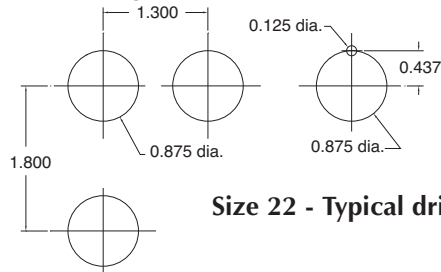


Legend Plates

Legend Text	22 Size Part #	30 Size Part #
Blank	P22-01	PL-01
Start	P22-02	PL-02
Stop (red)	P22-03	PL-03
Forward	P22-04	PL-04
Reverse	P22-05	PL-05
Fast	P22-06	PL-06
Slow	P22-07	PL-07
On	P22-08	PL-08
Off (red)	P22-09	PL-09
Reset	P22-10	PL-10
Raise	P22-11	PL-11
Lower	P22-12	PL-12
Emergency Stop (red)	P22-13	PL-13
Run / Jog	P22-31	PL-31
Auto / Hand	P22-32	PL-32
Forward / Reverse	P22-33	PL-33
Fast / Slow	P22-34	PL-34
Open / Close	P22-35	PL-35
Up / Down	P22-36	PL-36
Off / On	P22-37	PL-37

Mounting Clippard Manual Actuators

These drill plans are for units fitted with optional anti-rotation ring



Legend Plates

Plastic legend plate, two sizes, with a black field and white inscription (red as noted). Inscription plates are interchangeable in both sizes.



Accessories for Manual Actuators

Mounting Wrench

Fits 30 mm size manual actuators.

Part No.	Description
PB-60	Mounting Wrench



Replacement Interface

Part No.	Description
11468	PB-22-K Interface
11467	PB-22-P Interface
11469	PB-22-T Interface



Replacement 30 mm Anti-Rotation Ring

Holds 30 mm adapter in one position. Included with all 30 mm twist manual actuators.

Part No.	Description
PL-50	Anti-Rotation Ring, 30 mm



22 mm Anti-Rotation Feature

